

A decorative graphic consisting of several parallel green lines of varying thicknesses, slanted diagonally from the top-left corner towards the bottom-right corner of the page.

# **FINGERPRINT STANDALONE**

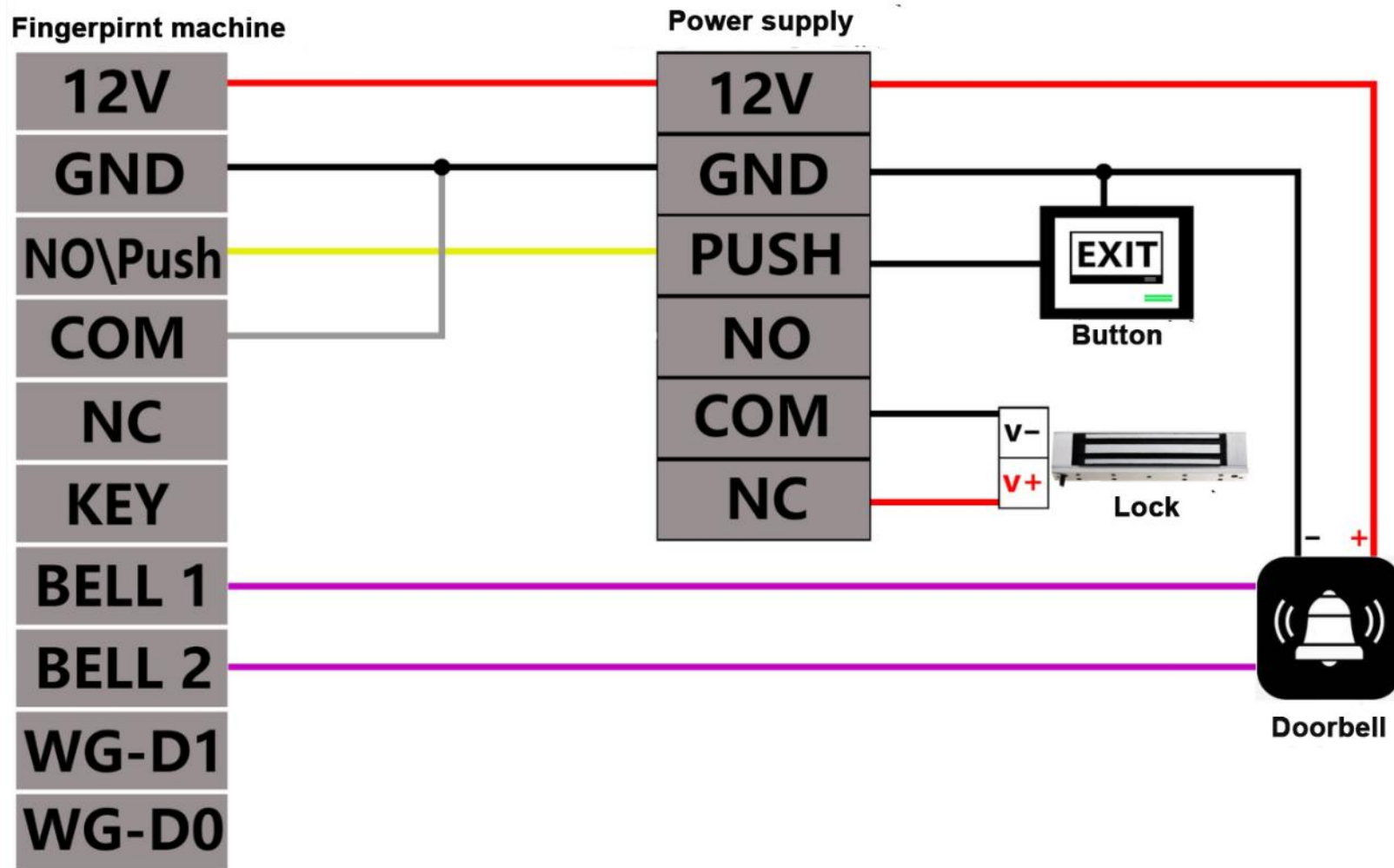
# **ACCESS CONTROL**

User manual

V1.2

Please check this manual carefully before use

## Wiring Diagram



### ★ Notice:

1. The initial admin.password is 123456, we suggest to reset the password before it begins to work.

2. Please use 12V/3A or 12V/5A professional access control power supply, and according to the wiring diagram to wiring.
3. If need to work with automatically door, the door signal port link with machine COM and NO\PUSH port
4. An authorized open door card cannot be registered as a master card

### Technology parameters

Fingerprint capacity: 100	Card capacity: 8000	Working voltage: DC12V
Working Temp.: 0°C -65°C	Working humidity: 0%-95%	Working current: <100mA

### Machine operation steps

**Initial admin. password:123456 ;**    **【#】 Confirm key**    **【🔔】 Doorbell key/\* key**  
**【Verify password】 press 123456+# to confirm, fast press🔔 key 2**  
**times and back to standby mode**

**1. Add fingerprint:** # \* Admin. Password:123456 # 5 press 1 fingerprint 3 times #

**2. Add card:** # \* Admin. Password:123456 # 5 Punch card 1 time #

**3. Add password (1-6digital number):** # \* Admin. Password:123456 # 3 Input new password #

**4. Add remote control:** # \* Admin. Password:123456 # 5 Press the open key from remote controller #

**5. Add card+password to verify:** # \* Admin. Password:123456 # 65 刷 Punch card 1time+input password #

## 6. Delete function

1	Delete fingerprint	# * Adm. password # 81 Press fingerprint 1 time #
2	Delete card	# * Adm. password # 81 Press card 1 time #
3	Delete door opening password	# * Adm. password # 84 Input door opening password #
4	Delete remote controller	# * Adm. password # 81 Press door opening key on remote controller #
5	Delete all the door opening password	# * Adm. password # 9 # Input 108 #
6	Delete all register Fingerprint/Card/Password/Remote controller	# * Adm. password # 9 # Input 123 #

## 7. Setting and using for master card

1	Set add master card	# * Adm. password # 61 punch the card need added #
---	---------------------	--

2	Set delete master card	# * Adm. password # 62 punch the card need delete #
3	Log off add master card	# * Adm. password # 85 #
4	Log off delete master card	# * Adm. password # 86 #

### ① Batch add door opening card

Punch the card need to add, device will "Di" 4 times, enter add door opening card mode:   ..... #

### ② Batch delete card

Punch the card need to delete in standby mode, device will "Di" 4 times, enter and delete the card mode:   ..... #

## Other setting

1	Lock delay setting	# * Adm. password # 7 Input 1-9 #	Note: 1 is 2 second, 2 is 4 second, 9 is 18 second.
2	NO mode on/off	# * Adm. password # 87 #	
3	Set the key backlight always on	# * Adm. password # 881 #	
	Close the key backlight always on	# * Adm. password # 880 #	

4	Set WG out mode	# * Adm. password # 630 #
	Set WG in mode	# * Adm. password # 631 #
5	Set WG26 mode	# * Adm. password # 6626 #
	Set WG34 mode	# * Adm. password # 6634 #

## Modify adm. Password

	Modify adm. password	# * Adm. password # 1 new password #
--	----------------------	--------------------------------------